

Superreel® - Industrial Reel

ASSH370D SERIES



FEATURES

- Dual pedestal, heavy duty.
- Full flow shaft and swivel.
- Reel drive springs manufactured from high-quality, scaleless blue tempered steel.
- Anti-lockout design: Ratchet prevents lockup when hose is fully extended, eliminating the need to manually release the pawl at the reel.
- Superior performance: Swivel and reel ball bearings reduce torque load on power spring for smooth retraction and durability.
- Corrosion resistant: Sealed bearings prevent contamination and minimize maintenance.
- Easy installation and maintenance: Factory lubricated one-piece power spring cassette make installation safer and maintenance easier.

1



WWW.SUPERREEL.COM

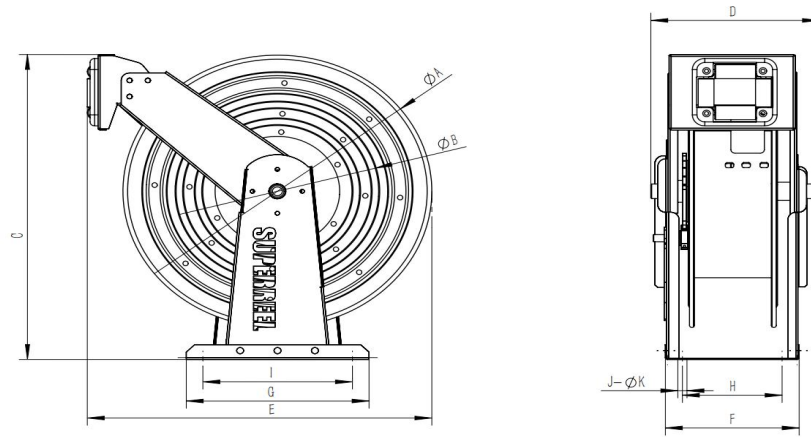
Email: sales@superreel.com

Superreel® - Industrial Reel

- Adjustable and Versatile: Guide arm adjust to wall, floor, vehicle, overhead positions.

Narrow design allows for maximum use of available space.

DIMENSIONS



P/N	Port&core number	HOSE-ID. or CABLE-square	Pressure or Imax	Working length	Reel inlet	Hose outlet	A	B	C	D	E	F	G	H	I	J	K
ASSH370D0101016015	1	1/4"	1.6Mpa	15m	M18*1.5.M	BSPT1/4".M	370	230	416	203	415	161	220	120	180	4	9
ASSH370D0101200010	1	1/4"	20Mpa	10m	M18*1.5.M	BSPT1/4".M	370	230	416	203	415	161	220	120	180	4	9
ASSH370D0102016012	1	5/16"	1.6Mpa	12m	M18*1.5.M	BSPT3/8".M	370	230	416	203	415	161	220	120	180	4	9
ASSH370D0102200009	1	5/16"	20Mpa	9m	M18*1.5.M	BSPT1/2".M	370	230	416	203	415	161	220	120	180	4	9
ASSH370D0103016010	1	3/8"	1.6Mpa	10m	M18*1.5.M	BSPT3/8".M	370	230	416	203	415	161	220	120	180	4	9
ASSH370D0103200008	1	3/8"	20Mpa	8m	M18*1.5.M	BSPT3/8".M	370	230	416	203	415	161	220	120	180	4	9
ASSH370D0104016010	1	1/2"	1.6Mpa	10m	M18*1.5.M	BSPT1/2".M	370	230	416	203	415	161	220	120	180	4	9
ASSH370D0104200006	1	1/2"	20Mpa	6m	M18*1.5.M	BSPT1/2".M	370	230	416	203	415	161	220	120	180	4	9
ASSH370D0106016004	1	3/4"	1.6Mpa	4m	BSPT3/4".F	BSPT3/4".M	370	230	416	220	415	161	220	120	180	4	9
							Dimensions are in millimeters										

