

Superreel® - Industrial Reel

AESH680D SERIES



FEATURES

- Heavy-duty. All-steel construction.
- High pressure. Full flow shaft and swivel.
- Rugged construction: Steel drum and all bolted construction.
- Dimensional flexibility: Specify height, width and depth dimensions to fit your space requirement.
- Low maintenance: Dual main bearings never need lubrication.
- Shipped completely assembled, ready to install.

1

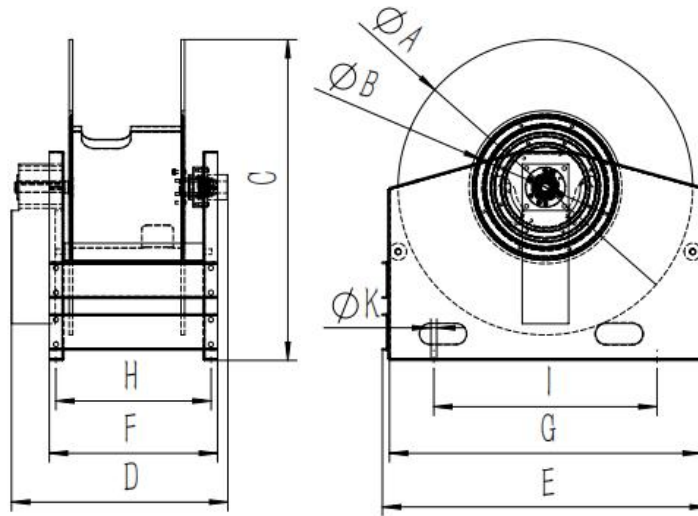


WWW.SUPERREEL.COM

Email: sales@superreel.com

Superreel® - Industrial Reel

DIMENSIONS



P/N	Port&core number	HOSE-ID. or CABLE-square	Pressure or I _{max}	Working length	Reel inlet	Hose outlet	A	B	C	D	E	F	G	H	I	J	K
AESH680D0104200100	1	1/2"	20Mpa	100m	BSPT1".F	BSPT1/2".M	660	286	700	548	660	336	553	300	400	4	15
AESH680D0106200030	1	3/4"	20Mpa	30m	BSPT1".F	BSPT3/4".M	660	286	700	548	660	336	553	300	400	4	15
AESH680D0106200050	1	3/4"	20Mpa	50m	BSPT1".F	BSPT3/4".M	660	286	700	682	660	470	553	434	400	4	15
AESH680D0107200050	1	1"	20Mpa	50m	BSPT1".F	BSPT1".M	660	326	700	867	660	655	553	619	400	4	15
AESH680D0108200030	1	1-1/4"	20Mpa	30m	BSPT1-1/4".F	BSPT1-1/4".F	660	326	700	867	660	655	553	619	400	4	15
AESH680D0109200020	1	1-1/2"	20Mpa	20m	BSPT1-1/2".F	BSPT1-1/2".F	660	326	700	867	660	655	553	619	400	4	15
							Dimensions are in millimeters										

