

Superreel® - Industrial Reel

APSH680D SERIES



FEATURES

- Standard frame and spool assembly are of heavy duty steel construction. Also available in aluminum or stainless steel.
- High pressure. Heavy duty. Full flow shaft and swivel.
- Rugged construction: Steel drum and all bolted construction.
- Dimensional flexibility: Specify height, width and depth dimensions to fit your space requirement.
- Low maintenance: Dual main bearings never need lubrication.
- Shipped completely assembled, ready to install.

1

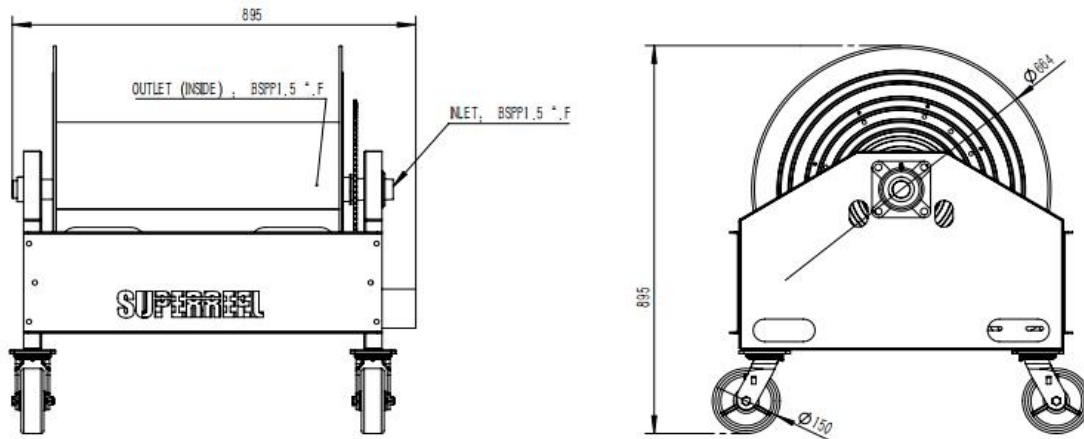


WWW.SUPERREEL.COM

Email: sales@superreel.com

Superreel® - Industrial Reel

DIMENSIONS



P/N	Port&core number	HOSE-ID. or CABLE-square	Pressure or Imax	Working length	Reel inlet	Hose outlet	A	B	C	D	E	F	G	H	I	J	K
APSH660D0106016060	1	3/4"	1.6Mpa	60m	BSPT1".F	BSPT3/4".M	664	310	895	895	800	795	712	755	526	4	12
APSH660D0107016050	1	1"	1.6Mpa	50m	BSPT1".F	BSPT1".M	664	310	895	895	800	795	712	755	526	4	12
							Dimensions are in millimeters										

