

Superreel® - Industrial Reel

ASSH1200D SERIES



FEATURES

- Dual pedestal, heavy duty. Large frame for high volume air, water, fuel and petroleum.
- Full flow shaft and swivel, high pressure.
- Reel drive springs manufactured from high-quality, scaleless blue tempered steel.
- Anti-lockout design: Ratchet prevents lockup when hose is fully extended, eliminating the need to manually release the pawl at the reel.
- Superior performance: Swivel and reel ball bearings reduce torque load on power spring for smooth retraction and durability.
- Corrosion resistant: Sealed bearings prevent contamination and minimize maintenance.
- Easy installation and maintenance: Factory lubricated one-piece power spring cassette make installation safer and maintenance easier.

1



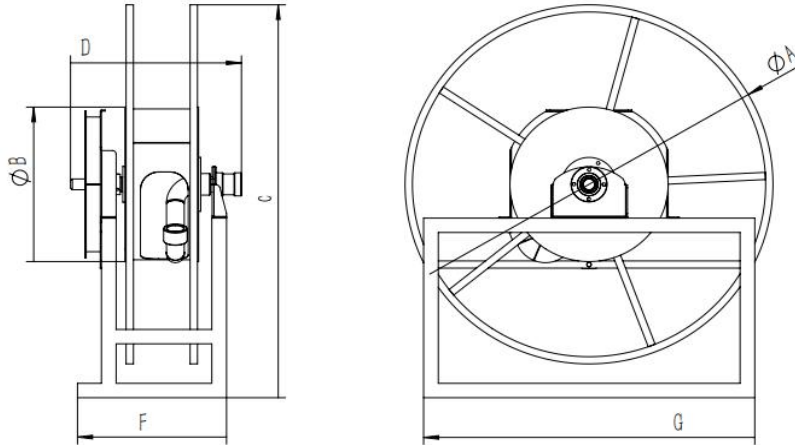
WWW.SUPERREEL.COM

Email: sales@superreel.com

Superreel® - Industrial Reel

- Adjustable and Versatile: Guide arm adjust to wall, floor, vehicle, overhead positions.

DIMENSIONS



P/N	Port&core number	HOSE-ID. or CABLE-square	Pressure or lmax	Working length	Reel inlet	Hose outlet	A	B	C	D	E	F	G	H	I	J	K
ASSH1200D0110160015	1	2"	16Mpa	15m	BSPT2".F	BSPT2".M	1200	600	1300	550	1360	420	1360	380	1000	4	16
ASSH1200D0111160015	1	2-1/2"	16Mpa	15m	BSPT2-1/2".F	BSPT2-1/2".M	1200	600	1300	550	1360	420	1360	380	1000	4	16
							Dimensions are in millimeters										

