

Superreel® - Industrial Reel

ESSH1000F SERIES



FEATURES

- Heavy duty. All-steel construction.
- For single hose with bigger diameter and bigger usable hose length
- Available in Left or Right version
- Fixation by mounting flangel
- Self winding by permanent spring force
- Full flow shaft swivels.
- Superior performance: Swivel and reel ball bearings reduce torque load on power spring for smooth retraction and durability.
- Corrosion resistant: Sealed bearings prevent contamination and minimize maintenance.
- Easy installation and maintenance: Factory lubricated one-piece power spring cassette make installation safer and maintenance easier.

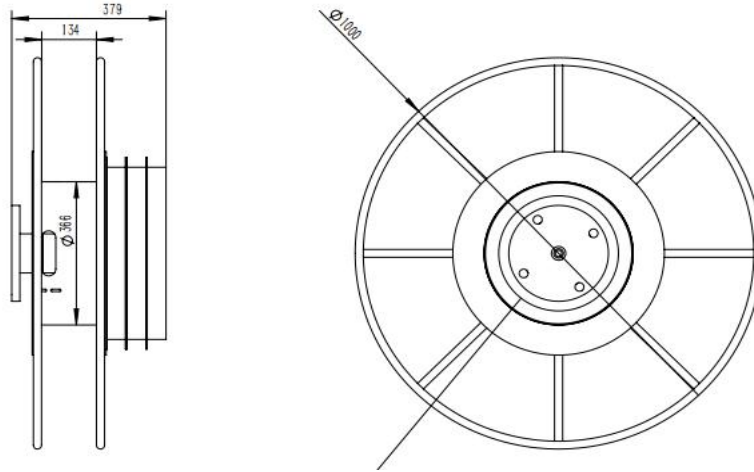


Superreel® - Industrial Reel

- Adjustable and Versatile: Guide arm adjust to wall, floor, vehicle, overhead positions.

Narrow design allows for maximum use of available space.

DIMENSIONS



| P/N | Port&core number | HOSE-ID. or CABLE-square | Pressure or lmax | Working length | Reel inlet | Hose outlet | A | B | C | D | E | F | G | H | I | J | K |
|---|------------------|--------------------------|------------------|----------------|------------|-------------|-------------------------------|-----|------|-----|------|-----|-----|-----|-----|---|----|
| ESSH1000F0104220050 | 1 | 1/2" | 22MPA | 50m | BSPT1/2".F | BSPT1/2".M | 1000 | 386 | 1000 | 379 | 1000 | 245 | 245 | 200 | 200 | 4 | 22 |
| ESSH1000F0106220050 | 1 | 3/4" | 22MPA | 50m | BSPT3/4".F | BSPT3/4".M | 1000 | 386 | 1000 | 379 | 1000 | 245 | 245 | 200 | 200 | 4 | 22 |
| ESSH1000F0107220040 | 1 | 1" | 22MPA | 40m | BSPT1".F | BSPT1".M | 1000 | 386 | 1000 | 379 | 1000 | 245 | 245 | 200 | 200 | 4 | 22 |
| ESSH1000F static pressure: 35MPA, dynamic pressure: 22MPA | | | | | | | Dimensions are in millimeters | | | | | | | | | | |

