

Superreel® - Industrial Reel

AESH680D SERIES



FEATURES

- Heavy-duty. All-steel construction.
- High pressure. Full flow shaft and swivel.
- Rugged construction: Steel drum and all bolted construction.
- Dimensional flexibility: Specify height, width and depth dimensions to fit your space requirement.
- Low maintenance: Dual main bearings never need lubrication.
- Shipped completely assembled, ready to install.

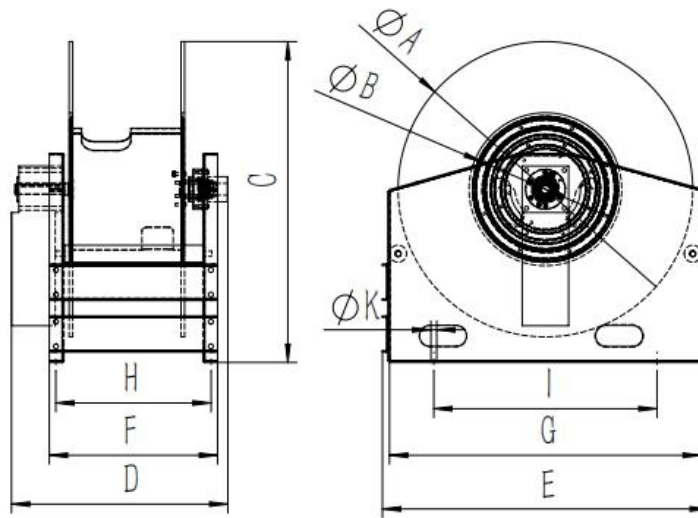


WWW.SUPERREEL.COM

Email: sales@superreel.com

Superreel® - Industrial Reel

DIMENSIONS



| P/N | Port&core number | HOSE-ID. or CABLE-square | Pressure or I _{max} | Working length | Reel inlet | Hose outlet | A | B | C | D | E | F | G | H | I | J | K |
|--------------------|------------------|--------------------------|------------------------------|----------------|--------------|--------------|-------------------------------|-----|-----|-----|-----|-----|-----|-----|-----|---|----|
| AESH680D0104200100 | 1 | 1/2" | 20Mpa | 100m | BSPT1".F | BSPT1/2".M | 660 | 286 | 700 | 548 | 660 | 336 | 553 | 300 | 400 | 4 | 15 |
| AESH680D0106200030 | 1 | 3/4" | 20Mpa | 30m | BSPT1".F | BSPT3/4".M | 660 | 286 | 700 | 548 | 660 | 336 | 553 | 300 | 400 | 4 | 15 |
| AESH680D0106200050 | 1 | 3/4" | 20Mpa | 50m | BSPT1".F | BSPT3/4".M | 660 | 286 | 700 | 682 | 660 | 470 | 553 | 434 | 400 | 4 | 15 |
| AESH680D0107200050 | 1 | 1" | 20Mpa | 50m | BSPT1".F | BSPT1".M | 660 | 326 | 700 | 867 | 660 | 655 | 553 | 619 | 400 | 4 | 15 |
| AESH680D0108200030 | 1 | 1-1/4" | 20Mpa | 30m | BSPT1-1/4".F | BSPT1-1/4".F | 660 | 326 | 700 | 867 | 660 | 655 | 553 | 619 | 400 | 4 | 15 |
| AESH680D0109200020 | 1 | 1-1/2" | 20Mpa | 20m | BSPT1-1/2".F | BSPT1-1/2".F | 660 | 326 | 700 | 867 | 660 | 655 | 553 | 619 | 400 | 4 | 15 |
| | | | | | | | Dimensions are in millimeters | | | | | | | | | | |

