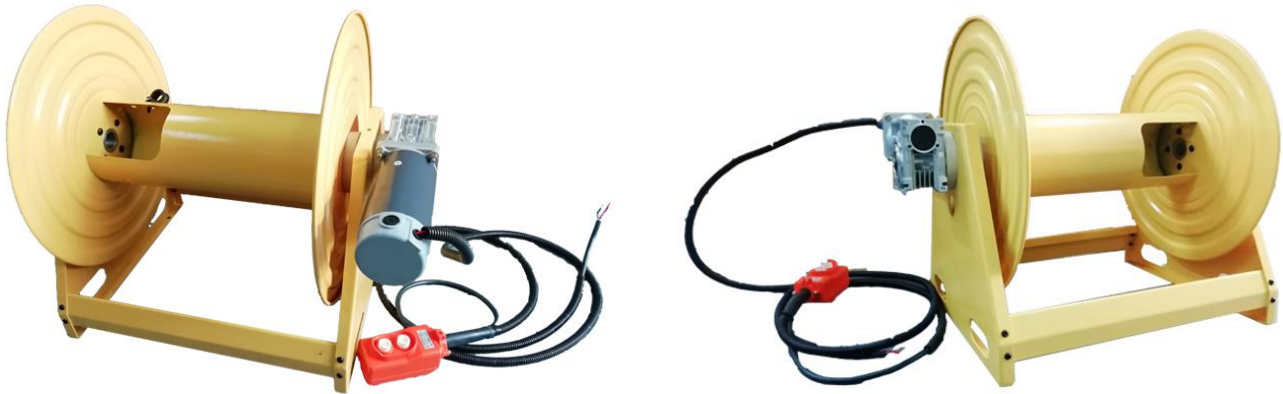


Superreel® - Industrial Reel

AESC390D SERIES



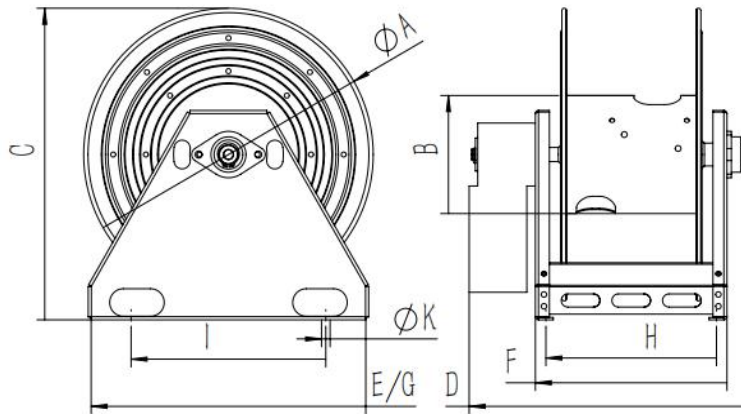
FEATURES

- To handle live electric cable/cord.
- Powered by electric motor. Economical series.
- Silver alloy slip ring.
- Durable abrasion and corrosion resistant baked-on power coat finish.
- Rugged construction: Steel drum and all bolted construction. Vibration-proof self-locking fasteners.
- Low maintenance: Dual main bearings never need lubrication.
- Compact for critical space requirements.
- Shipped completely assembled, ready to install.



Superreel® - Industrial Reel

DIMENSIONS



P/N	Port&core number	HOSE-ID. or CABLE-square	Pressure or lmax	Working Length	Reel inlet	Cable outlet	A	B	C	D	E	F	G	H	I	J	K
AESC390D0406020060	4	2.5 ²	20A	60m	Bare wire	Bare wire	375	140	389	460	372	350	140	320	110	4	11
AESC390D0408030050	4	4 ²	30A	50m	Bare wire	Bare wire	375	140	389	460	372	350	140	320	110	4	11
AESC390D0409050040	4	6 ²	50A	40m	Bare wire	Bare wire	375	140	389	460	372	350	140	320	110	4	11
							Dimensions are in millimeters										

