

# Superreel® - Industrial Reel

## AHSH2300D SERIES



## FEATURES

- Standard frame and spool assembly are of heavy duty steel construction. Also available in aluminum or stainless steel.
- High pressure. Heavy duty. Full flow shaft and swivel.
- Rugged construction: Steel drum and all bolted construction.
- Dimensional flexibility: Specify height, width and depth dimensions to fit your space requirement.
- Our large frame products range in size from 1" I.D. up to 4" I.D. and we offer special products beyond 4".
- Low maintenance: Dual main bearings never need lubrication.
- Shipped completely assembled, ready to install.

1

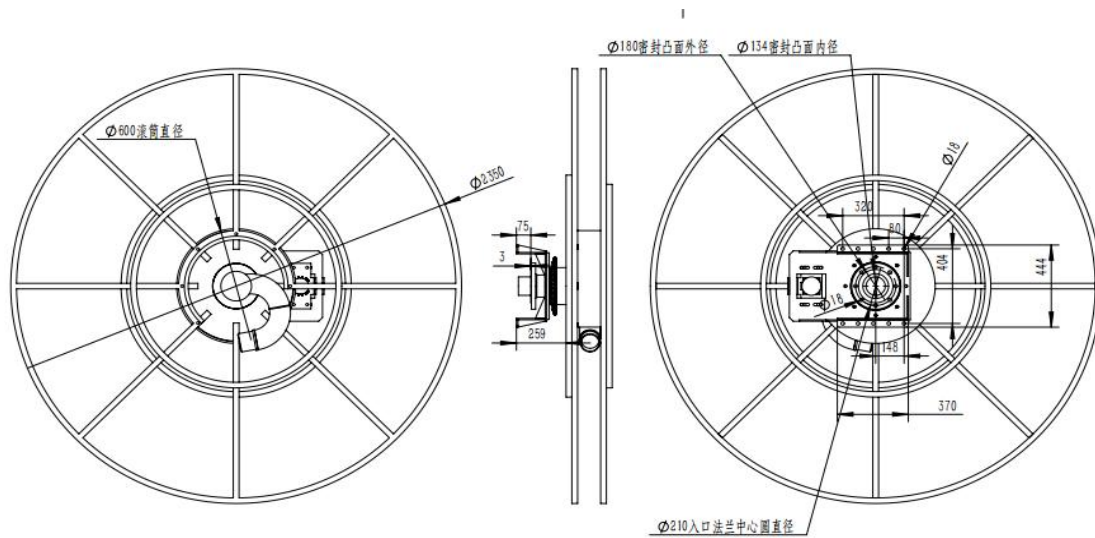


**WWW.SUPERREEL.COM**

Email: [sales@superreel.com](mailto:sales@superreel.com)

# Superreel® - Industrial Reel

## DIMENSIONS



P/N	Port&core number	HOSE-ID. or CABLE-square	Pressure or lmax	Working length	Reel inlet	Hose outlet	A	B	C	D	E	F	G	H	I	J	K
AHSH2300D0114016040	1	4"	1.6Mpa	40m	Flange	BSPT4".M	2300	600	680	680	2300	444	370	404	320	4	18
							Dimensions are in millimeters										

