

# Superreel® - Industrial Reel

## AHSH790D SERIES



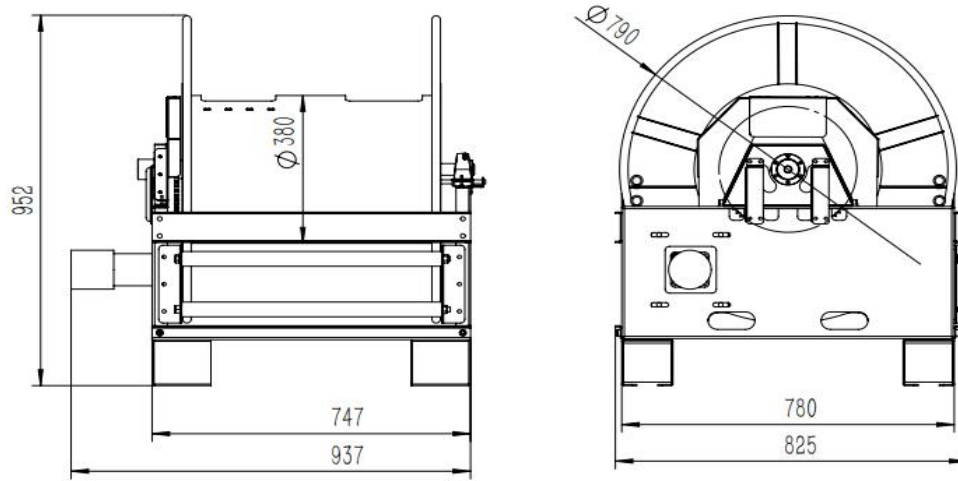
## FEATURES

- Standard frame and spool assembly are of heavy duty steel construction. Also available in aluminum or stainless steel.
- High pressure. Heavy duty. Full flow shaft and swivel.
- Rugged construction: Steel drum and all bolted construction.
- Dimensional flexibility: Specify height, width and depth dimensions to fit your space requirement.
- Our large frame products range in size from 1" I.D. up to 4" I.D. and we offer special products beyond 4".
- Low maintenance: Dual main bearings never need lubrication.
- Shipped completely assembled, ready to install.



# Superreel® - Industrial Reel

## DIMENSIONS



P/N	Port&core number	HOSE-ID. or CABLE-square	Pressure or lmax	Working length	Reel inlet	Hose outlet	A	B	C	D	E	F	G	H	I	J	K
AHSH790D0108016060	1	1-1/4"	1.6Mpa	60m	BSPT1-1/4".M	BSPT1-1/4".M	790	380	952	937	825	747	790	711	735	4	18
AHSH790D0109016050	1	1-1/2"	1.6Mpa	50m	BSPT1-1/2".M	BSPT1-1/2".M	790	380	952	937	825	747	790	711	735	4	18
							Dimensions are in millimeters										

