

# Superreel® - Industrial Reel

## AMSH500D SERIES



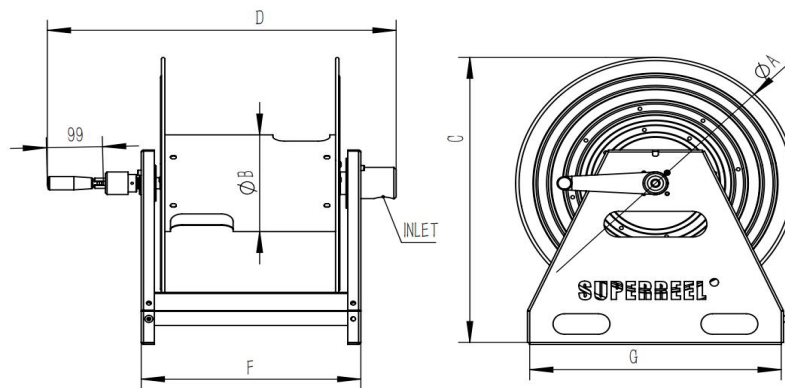
## FEATURES

- Heavy-duty. All-steel construction.
- Full flow shaft and swivel
- Rugged construction: Steel drum and all bolted construction. Vibration-proof self-locking fasteners.
- Safe: adjustable spool rotation drag eliminates hose backlash when de-reeling. Lock pin prevents spool rotation when reel is not in use.
- Versatile: Reel can be easily converted to power-driven type with motor mounting at either end of reel.
- Low maintenance: Dual main bearings never need lubrication.
- Shipped completely assembled, ready to install.



# Superreel® - Industrial Reel

## DIMENSIONS



P/N	Port&core number	HOSE-ID. or CABLE-square	Pressure or I <sub>max</sub>	Working length	Reel inlet	Hose outlet	A	B	C	D	E	F	G	H	I	J	K
AMSH500D0101200050	1	1/4"	20Mpa	50m	BSPT1".F	BSPT1/4".M	475	189	560	613	475	386	442	359	320	4	11
AMSH500D0103200050	1	3/8"	20Mpa	50m	BSPT1".F	BSPT3/8".M	475	189	560	613	475	386	442	359	320	4	11
AMSH500D0104200050	1	1/2"	20Mpa	50m	BSPT1".F	BSPT1/2".M	475	189	560	613	475	386	442	359	320	4	11
AMSH500D0106200030	1	3/4"	20Mpa	30m	BSPT1".F	BSPT3/4".M	475	189	560	613	475	386	442	359	320	4	11
AMSH500D0106200050	1	3/4"	20Mpa	50m	BSPT1".F	BSPT3/4".M	475	235	560	779	475	550	442	525	320	4	11
AMSH500D0107200030	1	1"	20Mpa	30m	BSPT1".F	BSPT1 ".M	475	235	560	779	475	550	442	525	320	4	11
							Dimensions are in millimeters										

