

Superreel® - Industrial Reel

AESH1100D SERIES



FEATURES

- Heavy-duty. All-steel construction.
- High pressure. Large frame design, large storage capacity. Full flow shaft and swivel. Automatic limit.
- Our large frame products range in size from 1" I.D. up to 4" I.D. and we offer special products beyond 4".
- Rugged construction: Steel drum and all bolted construction.
- Dimensional flexibility: Specify height, width and depth dimensions to fit your space requirement.
- Low maintenance: Dual main bearings never need lubrication.
- Shipped completely assembled, ready to install.

1

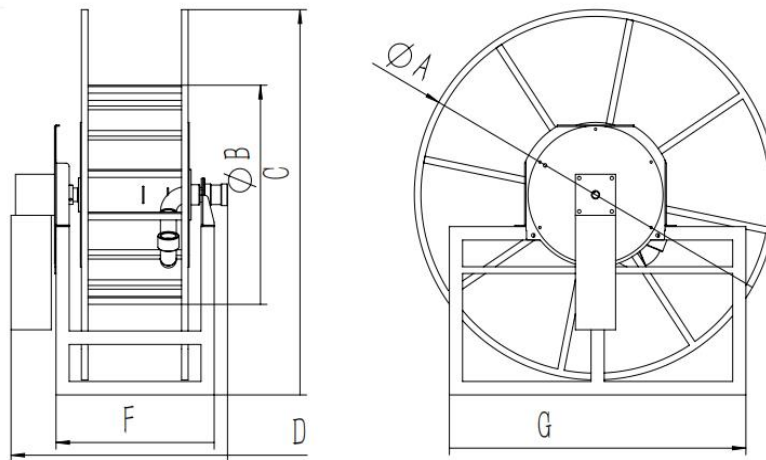


WWW.SUPERREEL.COM

Email: sales@superreel.com

Superreel® - Industrial Reel

DIMENSIONS



P/N	Port & core number	HOSE-ID. or CABLE-square	Pressure or I _{max}	Working length	Reel inlet	Hose outlet	A	B	C	D	E	F	G	H	I	J	K
AESH1100D0110016060	1	2"	1.6Mpa	12m	BSPT2".F	BSPT2".M	1100	650	1177	657	1100	480	900	440	860	4	18
AESH1100D0110016060	1	2"	1.6Mpa	60m	BSPT2".F	BSPT2".M	1100	600	1177	1028	1210	935	1210	855	860	4	24
AESH1100D0111016050	1	2-1/2"	1.6Mpa	50m	BSPT2-1/2".F	BSPT2-1/2".F	1100	600	1177	1028	1210	935	1210	855	860	4	24
AE SH1100D0112016040	1	3"	1.6Mpa	40m	BSPT3".F	BSPT3".F	1100	600	1177	1028	1210	935	1210	855	860	4	24
							Dimensions are in millimeters										

