

Superreel® - Industrial Reel

AESH500D SERIES



FEATURES

- Heavy-duty. All-steel construction.
- High pressure. Full flow shaft and swivel.
- Rugged construction: Steel drum and all bolted construction.
- Dimensional flexibility: Specify height, width and depth dimensions to fit your space requirement.
- Low maintenance: Dual main bearings never need lubrication.
- Shipped completely assembled, ready to install.

1

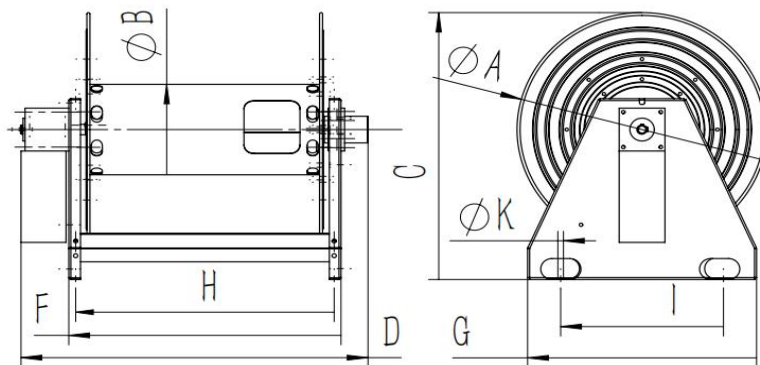


WWW.SUPERREEL.COM

Email: sales@superreel.com

Superreel® - Industrial Reel

DIMENSIONS



P/N	Port&core number	HOSE-ID. or CABLE-square	Pressure or Imax	Working Length	Reel inlet	Hose outlet	A	B	C	D	E	F	G	H	I	J	K
AESH500D0101200050	1	1/4"	20Mpa	50m	BSPT1".F	BSPT1/4".M	475	189	560	653	475	386	442	359	320	4	11
AESH500D0103200050	1	3/8"	20Mpa	50m	BSPT1".F	BSPT3/8".M	475	189	560	653	475	386	442	359	320	4	11
AESH500D0104200050	1	1/2"	20Mpa	50m	BSPT1".F	BSPT1/2".M	475	189	560	653	475	386	442	359	320	4	11
AESH500D0106200030	1	3/4"	20Mpa	30m	BSPT1".F	BSPT3/4".M	475	189	560	653	475	386	442	359	320	4	11
AESH500D0106200050	1	3/4"	20Mpa	50m	BSPT1".F	BSPT3/4".M	475	235	560	819	475	550	442	525	320	4	11
AESH500D0107200030	1	1"	20Mpa	30m	BSPT1".F	BSPT1 ".M	475	235	560	819	475	550	442	525	320	4	11
							Dimensions are in millimeters										

