

# Superreel® - Industrial Reel

## AMSH300D SERIES



## FEATURES

- Lighter-duty. All-steel construction. Durable powder coat finish.
- Full flow shaft and swivel
- Rugged construction: Steel drum and all bolted construction. Vibration-proof self-locking fasteners.
- Safe: adjustable spool rotation drag eliminates hose backlash when de-reeling. Lock pin prevents spool rotation when reel is not in use.
- Low maintenance: Dual main bearings never need lubrication.
- Shipped completely assembled, ready to install.

1

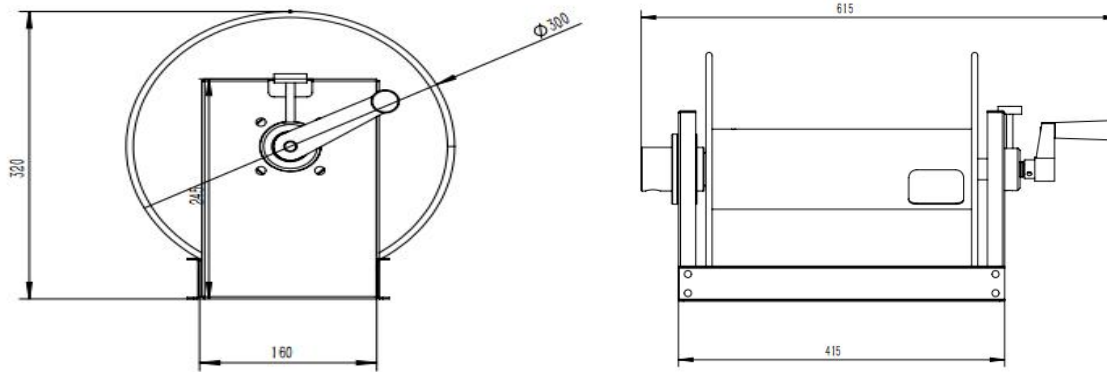


**WWW.SUPERREEL.COM**

Email: [sales@superreel.com](mailto:sales@superreel.com)

# Superreel® - Industrial Reel

## DIMENSIONS



P/N	Port&core number	HOSE-ID. or CABLE-square	Pressure or lmax	Working length	Reel inlet	Hose outlet	A	B	C	D	E	F	G	H	I	J	K
AMSH300D0101200020	1	1/4"	20Mpa	20m	BSPT1/2".F	BSPT1/4".M	300	110	320	615	300	415	160	390	120	4	9
AMSH300D0103200020	1	3/8"	20Mpa	20m	BSPT1/2".F	BSPT3/8".M	300	110	320	615	300	415	160	390	120	4	9
AMSH300D0104200015	1	1/2"	20Mpa	15m	BSPT1/2".F	BSPT1/2".M	300	110	320	615	300	415	160	390	120	4	9
							Dimensions are in millimeters										

