

Superreel® - Industrial Reel

AMSH370D SERIES



FEATURES

- Medium-duty. All-steel construction. Durable powder coat finish.
- Full flow shaft and swivel
- Rugged construction: Steel drum and all bolted construction. Vibration-proof self-locking fasteners.
- Safe: adjustable spool rotation drag eliminates hose backlash when de-reeling. Lock pin prevents spool rotation when reel is not in use.
- Low maintenance: Dual main bearings never need lubrication.
- Shipped completely assembled, ready to install.

1

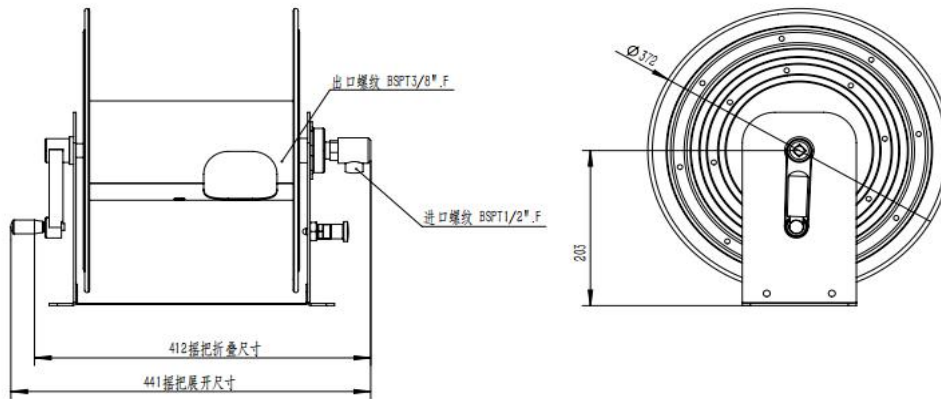


WWW.SUPERREEL.COM

Email: sales@superreel.com

Superreel® - Industrial Reel

DIMENSIONS



P/N	Port&core number	HOSE-ID. or CABLE-square	Pressure or I _{max}	Working length	Reel inlet	Hose outlet	A	B	C	D	E	F	G	H	I	J	K
AMSH370D0101016015	1	1/4"	1.6Mpa	50m	BSPT1/2".F	BSPT1/4".M	372	140	389	441	372	350	140	320	110	4	11
AMSH370D0103016015	1	3/8"	1.6Mpa	40m	BSPT3/8".F	BSPT3/8".M	372	140	389	441	372	350	140	320	110	4	11
AMSH370D0104016015	1	1/2"	1.6Mpa	40m	BSPT1/2".F	BSPT1/2".M	372	140	389	441	372	350	140	320	110	4	11
							Dimensions are in millimeters										

