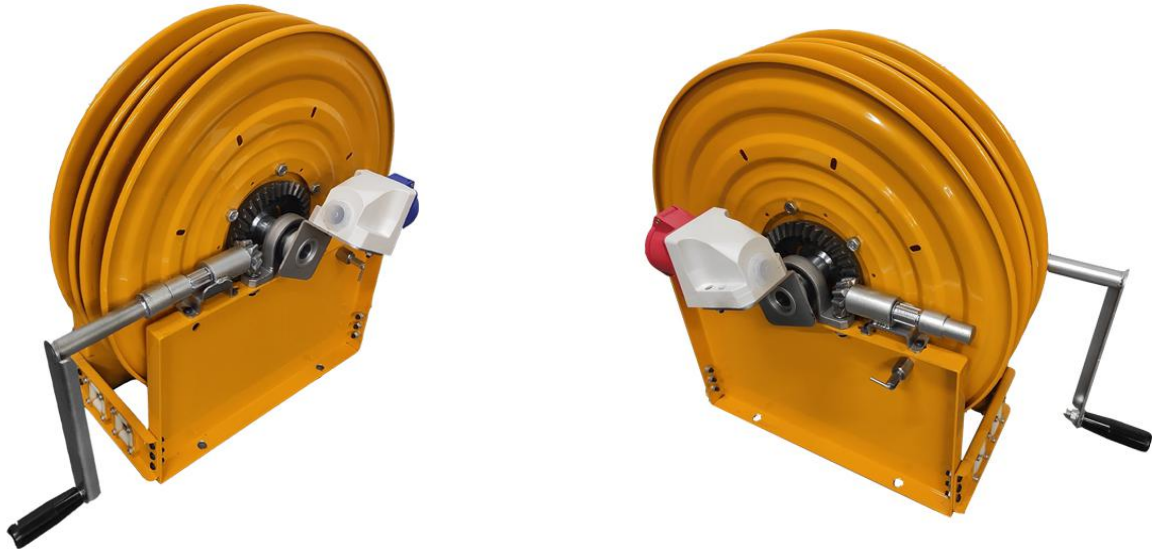


# Superreel® - Industrial Reel

## AMSC530D SERIES



## FEATURES

- Crank rewind. For storage only, no live connections. Removable crank.
- Durable abrasion and corrosion resistant baked-on power coat finish.
- Rugged construction: Steel drum and all bolted construction. Vibration-proof self-locking fasteners.
- Safe: adjustable spool rotation drag eliminates cord backlash when de-reeling. Lock pin prevents spool rotation when reel is not in use.
- Low maintenance: Dual main bearings never need lubrication.
- Compact for critical space requirements.
- Shipped completely assembled, ready to install.

1

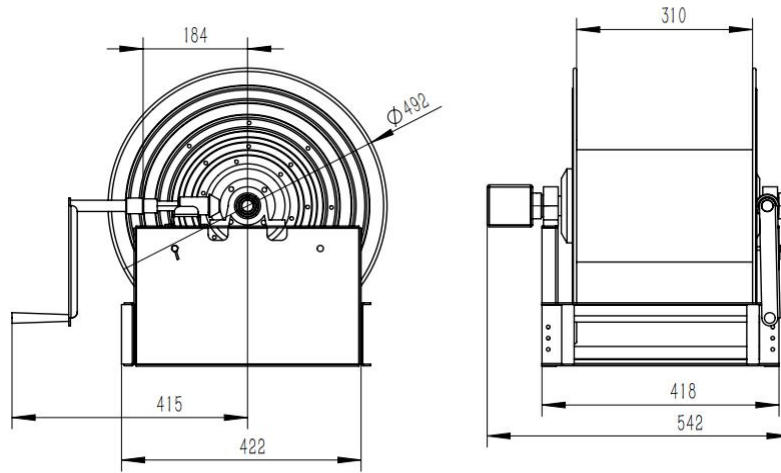


**WWW.SUPERREEL.COM**

Email: [sales@superreel.com](mailto:sales@superreel.com)

# Superreel® - Industrial Reel

## DIMENSIONS



P/N	Port&core number	HOSE-ID. or CABLE-square	Pressure or I <sub>max</sub>	Working length	Reel inlet	Hose outlet	A	B	C	D	E	F	G	H	I	J	K
AMSC530D0505000060	5	6 <sup>2</sup>	/	60	Bare wire	Bare wire	492	200	532	542	661	418	422	394	250	4	11
AMSC530D0405000060	4	10 <sup>2</sup>	/	60	Bare wire	Bare wire	492	200	532	542	661	418	422	394	250	4	11
AMSC530D0405000050	4	16 <sup>2</sup>	/	50	Bare wire	Bare wire	492	200	532	542	661	418	422	394	250	4	11
AMSC530D0405000040	4	25 <sup>2</sup>	/	40	Bare wire	Bare wire	492	200	532	542	661	418	422	394	250	4	11
For storage only,no live connections.Removable crank							Dimensions are in millimeters										

