

# Superreel® - Industrial Reel

## AESC790D SERIES



## FEATURES

- For storage only, no live connections.
- Powered by electric motor. Large capacity. Large frame.
- Durable abrasion and corrosion resistant baked-on power coat finish.
- Rugged construction: Steel drum and all bolted construction. Vibration-proof self-locking fasteners.
- Low maintenance: Dual main bearings never need lubrication.
- Compact for critical space requirements.
- Shipped completely assembled, ready to install.

1

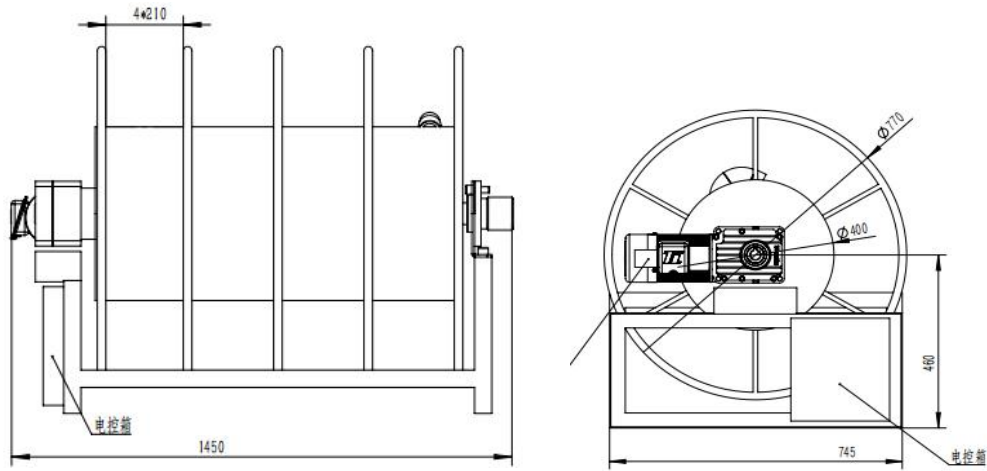


**WWW.SUPERREEL.COM**

Email: [sales@superreel.com](mailto:sales@superreel.com)

# Superreel® - Industrial Reel

## DIMENSIONS



P/N	Port&core number	HOSE-ID. or CABLE-square	Pressure or lmax	Working length	Reel inlet	Cable outlet	A	B	C	D	E	F	G	H	I	J	K
AESC790D0116000300	1	95 <sup>2</sup>	/	300m	Bare wire	Bare wire	770	400	845	1450	770	1134	745	1074	600	4	13
AESC790D0117000280	1	120 <sup>2</sup>	/	280m	Bare wire	Bare wire	770	400	845	1450	770	1134	745	1074	600	4	13
AESC790D0118000260	1	150 <sup>2</sup>	/	260m	Bare wire	Bare wire	770	400	845	1450	770	1134	745	1074	600	4	13
For storage only,no live connections.							Dimensions are in millimeters										

