

Superreel® - Industrial Reel

ASDH680D SERIES



FEATURES

- Heavy duty. All-steel construction and a baked-on power coat finish combine.
- Full flow shaft swivels. Reduces fill rate time and improves efficiency.
- Anti-lockout design: Ratchet prevents lockup when hose is fully extended, eliminating the need to manually release the pawl at the reel.
- Superior performance: Swivel and reel ball bearings reduce torque load on power spring for smooth retraction and durability.
- Corrosion resistant: Sealed bearings prevent contamination and minimize maintenance.
- Easy installation and maintenance: Factory lubricated one-piece power spring cassette make installation safer and maintenance easier.
- Adjustable and Versatile: Guide arm adjust to wall, floor, vehicle, overhead positions. Narrow design allows for maximum use of available space.

1

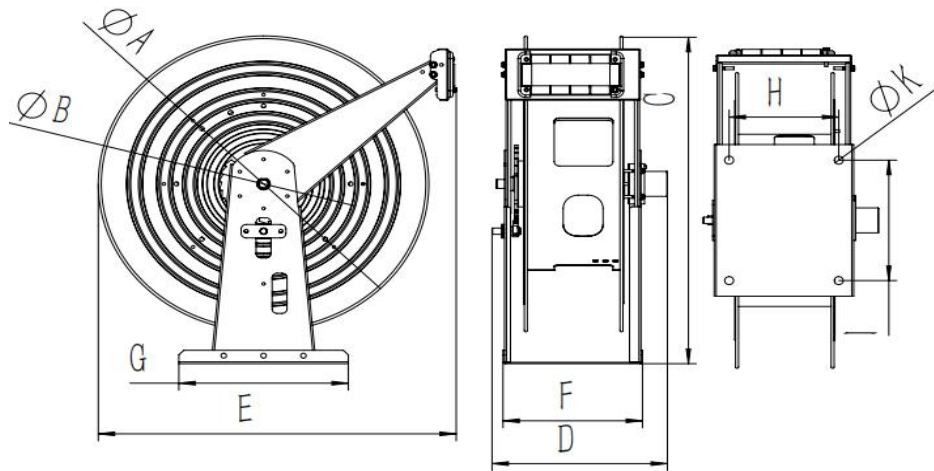


WWW.SUPERREEL.COM

Email: sales@superreel.com

Superreel® - Industrial Reel

DIMENSIONS



P/N	Port&core number	HOSE-ID. or CABLE-square	Pressure or lmax	Working length	Reel inlet	Hose outlet	A	B	C	D	E	F	G	H	I	J	K
ASDH680D0206016020	2	3/4"	1.6Mpa	20m	BSPT1".F	M34*1.5.F	660	400	735	352	720	280	340	220	270	4	18
ASDH680D0207016020	2	1"	1.6Mpa	20m	BSPT1".F	BSPT1-1/4".F	660	400	735	352	720	280	340	220	270	4	18
Reels finished with coaxial hose							Dimensions are in millimeters										

