

Superreel® - Industrial Reel

ASTH500D SERIES



FEATURES

- Dual pedestal, heavy duty. All-steel construction and a baked-on power coat finish combine.
- Full flow shaft swivels. Double-sealed, "O" rings prevent leakage.
- Anti-lockout design: Ratchet prevents lockup when hose is fully extended, eliminating the need to manually release the pawl at the reel.
- Superior performance: Swivel and reel ball bearings reduce torque load on power spring for smooth retraction and durability.
- Corrosion resistant: Sealed bearings prevent contamination and minimize maintenance.
- Easy installation and maintenance: Factory lubricated one-piece power spring cassette make installation safer and maintenance easier.

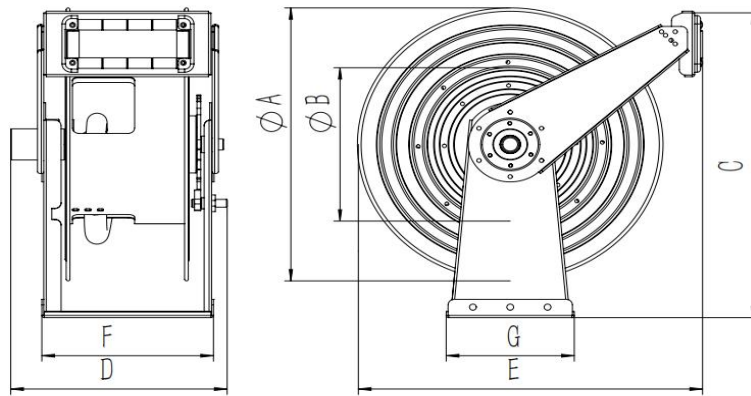


Superreel® - Industrial Reel

- Adjustable and Versatile: Guide arm adjust to wall, floor, vehicle, overhead positions.

Narrow design allows for maximum use of available space.

DIMENSIONS



P/N	Port&core number	HOSE-ID. or CABLE-square	Pressure or lmax	Working length	Reel inlet	Hose outlet	A	B	C	D	E	F	G	H	I	J	K
ASTH500D0201016020	2	1/4"	1.6Mpa	20m	BSPT1/4".F	BSPT1/4".F	485	270	550	348	553	276	206	152	152	4	12
ASTH500D0202016020	2	5/16"	1.6Mpa	20m	BSPT3/8".F	BSPT3/8".F	485	270	550	348	553	276	206	152	152	4	12
ASTH500D0203016020	2	3/8"	1.6Mpa	20m	BSPT3/8".F	BSPT3/8".F	485	270	550	348	553	276	206	152	152	4	12
ASTH500D0204016020	2	1/2"	1.6Mpa	20m	BSPT1/2".M	BSPT1/2".M	485	270	550	348	553	276	206	152	152	4	12
							Dimensions are in millimeters										

