

# Superreel® - Industrial Reel

## ASSH660D SERIES



## FEATURES

- Dual pedestal, heavy duty. All-steel construction and a baked-on power coat finish combine.
- Full flow shaft and swivel, high pressure.
- Reel drive springs manufactured from high-quality, scaleless blue tempered steel.
- Anti-lockout design: Ratchet prevents lockup when hose is fully extended, eliminating the need to manually release the pawl at the reel.
- Superior performance: Swivel and reel ball bearings reduce torque load on power spring for smooth retraction and durability.
- Corrosion resistant: Sealed bearings prevent contamination and minimize maintenance.
- Easy installation and maintenance: Factory lubricated one-piece power spring cassette make installation safer and maintenance easier.



**WWW.SUPERREEL.COM**

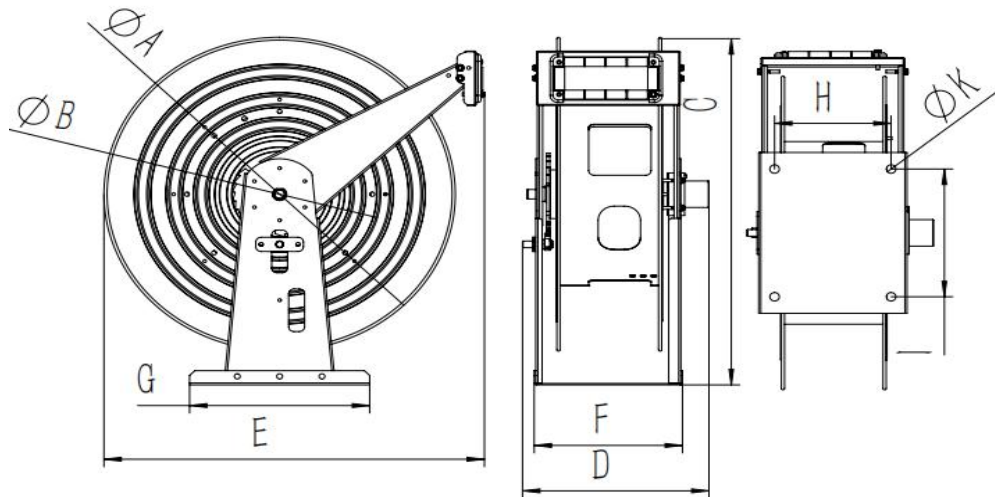
Email: [sales@superreel.com](mailto:sales@superreel.com)

# Superreel® - Industrial Reel

- Adjustable and Versatile: Guide arm adjust to wall, floor, vehicle, overhead positions.

Narrow design allows for maximum use of available space.

## DIMENSIONS



P/N	Port&core number	HOSE-ID. or CABLE-square	Pressure or lmax	Working length	Reel inlet	Hose outlet	A	B	C	D	E	F	G	H	I	J	K
ASSH660D0101300030	1	1/4"	30Mpa	30m	BSPT1".F	BSPT1/4".M	660	400	735	352	720	280	340	220	270	4	18
ASSH660D0102300030	1	5/16"	30Mpa	30m	BSPT1".F	BSPT3/8".M	660	400	735	352	720	280	340	220	270	4	18
ASSH660D0103300030	1	3/8"	30Mpa	30m	BSPT1".F	BSPT3/8".M	660	400	735	352	720	280	340	220	270	4	18
ASSH660D0104300030	1	1/2"	30Mpa	30m	BSPT1".F	BSPT1/2".M	660	400	735	352	720	280	340	220	270	4	18
ASSH660D0105300030	1	5/8"	30Mpa	30m	BSPT1".F	BSPT3/4".M	660	400	735	352	720	280	340	220	270	4	18
ASSH660D0106300030	1	3/4"	30Mpa	30m	BSPT1".F	BSPT3/4".M	660	400	735	352	720	280	340	220	270	4	18
ASSH660D0107016030	1	1"	1.6Mpa	30m	BSPT1".F	BSPT1".M	660	400	735	352	720	280	340	220	270	4	18
ASSH660D0107300025	1	1"	30Mpa	25m	BSPT1".F	BSPT1".M	660	400	735	352	720	280	340	220	270	4	18
							Dimensions are in millimeters										

