

Superreel® - Industrial Reel

ASSH490D SERIES



FEATURES

- Dual pedestal, heavy duty. Compact frame and narrow base.
- Full flow shaft and swivel.
- Reel drive springs manufactured from high-quality, scaleless blue tempered steel.
- Anti-lockout design: Ratchet prevents lockup when hose is fully extended, eliminating the need to manually release the pawl at the reel.
- Superior performance: Swivel and reel ball bearings reduce torque load on power spring for smooth retraction and durability.
- Corrosion resistant: Sealed bearings prevent contamination and minimize maintenance.
- Easy installation and maintenance: Factory lubricated one-piece power spring cassette make installation safer and maintenance easier.

1



WWW.SUPERREEL.COM

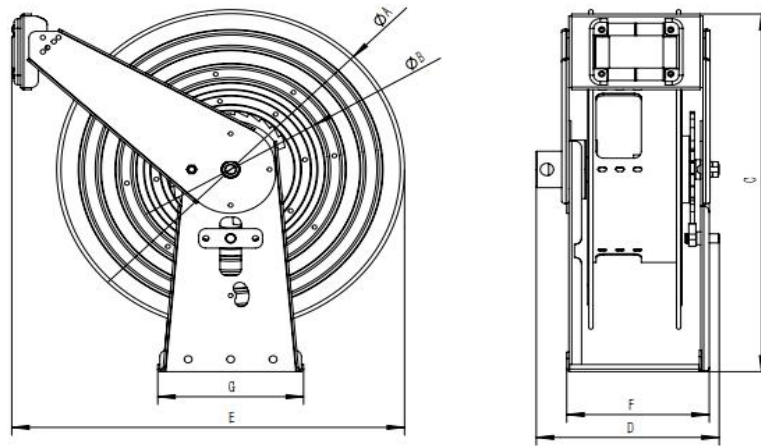
Email: sales@superreel.com

Superreel® - Industrial Reel

- Adjustable and Versatile: Guide arm adjust to wall, floor, vehicle, overhead positions.

Narrow design allows for maximum use of available space.

DIMENSIONS



| P/N | Port&core number | HOSE-ID. or CABLE-square | Pressure or lmax | Working length | Reel inlet | Hose outlet | A | B | C | D | E | F | G | H | I | J | K |
|--------------------|------------------|--------------------------|------------------|----------------|------------|-------------|-------------------------------|-----|-----|-----|-----|-----|-----|-----|-----|---|----|
| ASSH490D0101220025 | 1 | 1/4" | 22Mpa | 25m | BSPT1/2".F | BSPT1/4".M | 470 | 280 | 560 | 260 | 556 | 200 | 206 | 120 | 120 | 4 | 13 |
| ASSH490D0102220025 | 1 | 5/16" | 22Mpa | 25m | BSPT1/2".F | BSPT3/8".M | 470 | 280 | 560 | 260 | 556 | 200 | 206 | 120 | 120 | 4 | 13 |
| ASSH490D0103220025 | 1 | 3/8" | 22Mpa | 25m | BSPT1/2".F | BSPT3/8".M | 470 | 280 | 560 | 260 | 556 | 200 | 206 | 120 | 120 | 4 | 13 |
| ASSH490D0104220025 | 1 | 1/2" | 22Mpa | 20m | BSPT1/2".F | BSPT1/2".M | 470 | 280 | 560 | 260 | 556 | 200 | 206 | 120 | 120 | 4 | 13 |
| | | | | | | | Dimensions are in millimeters | | | | | | | | | | |

