

# Superreel® - Industrial Reel

## EESC530D SERIES



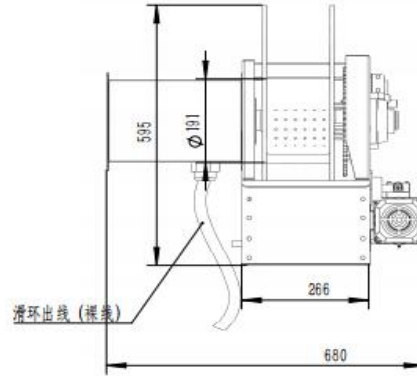
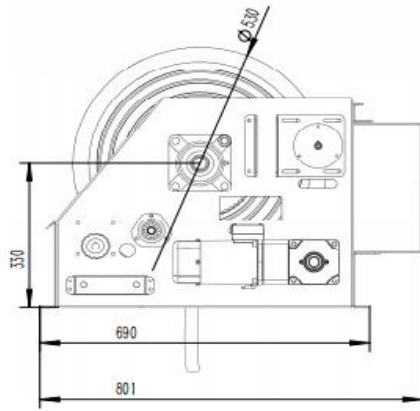
## FEATURES

- To handle live electric cable/cord.
- Automation, Powered by electric motor. Extensible.
- Silver alloy slip ring.
- Durable abrasion and corrosion resistant baked-on power coat finish.
- Rugged construction: Steel drum and all bolted construction. Vibration-proof self-locking fasteners.
- Low maintenance: Dual main bearings never need lubrication.
- Compact for critical space requirements.
- Shipped completely assembled, ready to install.



# Superreel® - Industrial Reel

## DIMENSIONS



P/N	Port&core number	HOSE-ID. or CABLE-square	Pressure or I <sub>max</sub>	Working length	Reel inlet	Cable outlet	A	B	C	D	E	F	G	H	I	J	K
EESC530D2405010030	24	1.5 <sup>2</sup>	10A	30m	Bare wire	Bare wire	530	191	595	680	801	266	690	200	659	4	14
EESC530D0408030030	4	4 <sup>2</sup>	30A	30m	Bare wire	Bare wire	530	191	595	680	801	266	690	200	659	4	14
EESC530D0409050030	4	6 <sup>2</sup>	50A	30m	Bare wire	Bare wire	530	191	595	680	801	266	690	200	659	4	14
220VAC; EESC530D Particularly suitable for the application of stage lighting							Dimensions are in millimeters										

