

# Superreel® - Industrial Reel

## AMSC270D SERIES



## FEATURES

- To handle live electric cable/cord.
- Crank rewind. Power rewind available, consult factory.
- Silver alloy slip ring.
- Durable abrasion and corrosion resistant baked-on power coat finish.
- Rugged construction: Steel drum and all bolted construction. Vibration-proof self-locking fasteners.
- Safe: adjustable spool rotation drag eliminates cord backlash when de-reeling. Lock pin prevents spool rotation when reel is not in use.
- Low maintenance: Dual main bearings never need lubrication.
- Compact for critical space requirements.

1



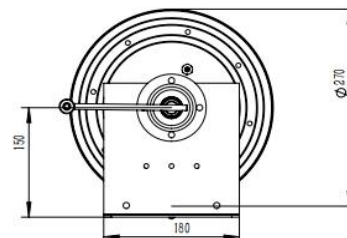
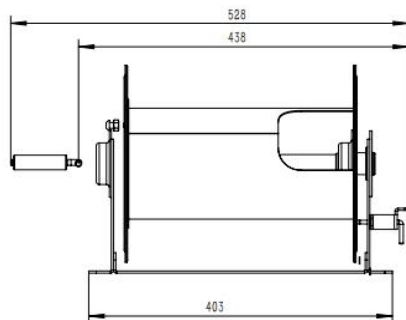
**WWW.SUPERREEL.COM**

Email: [sales@superreel.com](mailto:sales@superreel.com)

# Superreel® - Industrial Reel

- Shipped completely assembled, ready to install.

## DIMENSIONS



| P/N                | Port&core number | HOSE-ID. or CABLE-square | Pressure or I <sub>max</sub> | Working length | Reel inlet | Cable outlet | A                             | B   | C   | D   | E   | F   | G   | H   | I   | J | K  |
|--------------------|------------------|--------------------------|------------------------------|----------------|------------|--------------|-------------------------------|-----|-----|-----|-----|-----|-----|-----|-----|---|----|
| AMSC270D0305010050 | 3                | 1.5 <sup>2</sup>         | 10A                          | 50m            | Bare wire  | Bare wire    | 270                           | 152 | 285 | 528 | 270 | 403 | 180 | 373 | 150 | 4 | 11 |
| AMSC270D0306020040 | 3                | 2.5"                     | 20A                          | 40m            | Bare wire  | Bare wire    | 270                           | 152 | 285 | 528 | 270 | 403 | 180 | 373 | 150 | 4 | 11 |
| AMSC270D0307030030 | 3                | 4"                       | 30A                          | 30m            | Bare wire  | Bare wire    | 270                           | 152 | 285 | 528 | 270 | 403 | 180 | 373 | 150 | 4 | 11 |
|                    |                  |                          |                              |                |            |              | Dimensions are in millimeters |     |     |     |     |     |     |     |     |   |    |

