

# Superreel® - Industrial Reel

## AHSH660D SERIES



## FEATURES

- Standard frame and spool assembly are of heavy duty steel construction. Also available in aluminum or stainless steel.
- High pressure. Heavy duty. Full flow shaft and swivel.
- Rugged construction: Steel drum and all bolted construction.
- Dimensional flexibility: Specify height, width and depth dimensions to fit your space requirement.
- Low maintenance: Dual main bearings never need lubrication.
- Shipped completely assembled, ready to install.

1

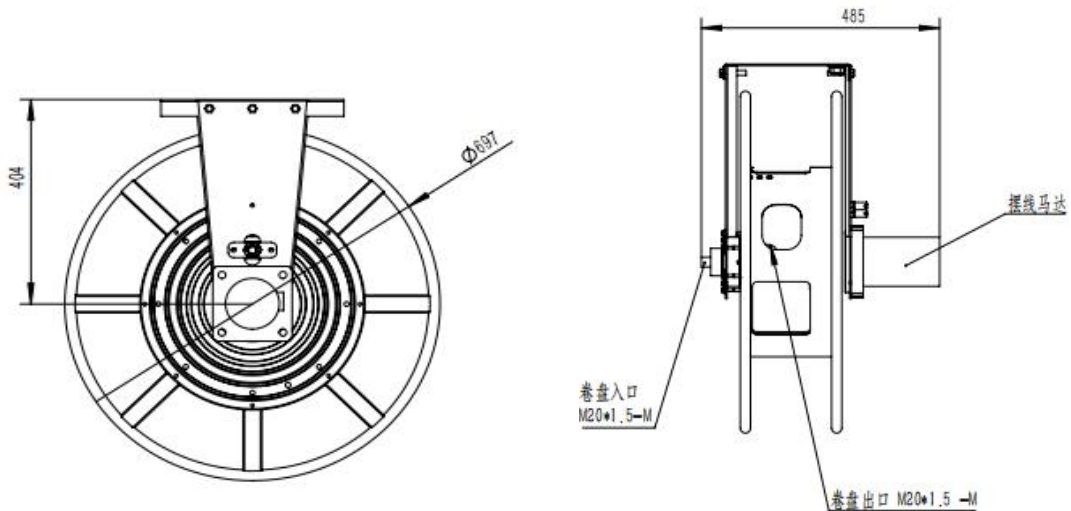


**WWW.SUPERREEL.COM**

Email: [sales@superreel.com](mailto:sales@superreel.com)

# Superreel® - Industrial Reel

## DIMENSIONS



P/N	Port&core number	HOSE-ID. or CABLE-square	Pressure or lmax	Working length	Reel inlet	Hose outlet	A	B	C	D	E	F	G	H	I	J	K
ASSH660D0101300030	1	1/4"	30Mpa	30m	BSPT1".F	BSPT1/4".M	697	260	753	485	697	256	340	200	270	4	18
ASSH660D0102300030	1	5/16"	30Mpa	30m	BSPT1".F	BSPT3/8".M	697	260	753	485	697	256	340	200	270	4	18
ASSH660D0103300030	1	3/8"	30Mpa	30m	BSPT1".F	BSPT3/8".M	697	260	753	485	697	256	340	200	270	4	18
ASSH660D0104300030	1	1/2"	30Mpa	30m	BSPT1".F	BSPT1/2".M	697	260	753	485	697	256	340	200	270	4	18
ASSH660D0105300030	1	5/8"	30Mpa	30m	BSPT1".F	BSPT3/4".M	697	260	753	485	697	256	340	200	270	4	18
ASSH660D0106300030	1	3/4"	30Mpa	30m	BSPT1".F	BSPT3/4".M	697	260	753	485	697	256	340	200	270	4	18
ASSH660D0107300025	1	1"	30Mpa	25m	BSPT1".F	BSPT1".M	697	260	753	485	697	256	340	200	270	4	18
							Dimensions are in millimeters										

